

Diesel Spin-On - 400MAM Series

FUEL

Specifications:

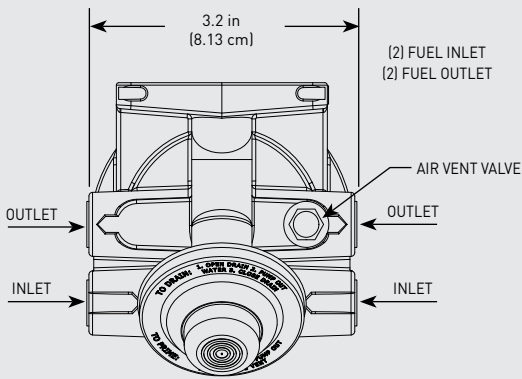
Height: 445: 9.5" (24.13 cm)
 460: 11.0" (27.94 cm)
 490 & 4120: 13.0" (33.02 cm)
Width: 4.39" (11.15 cm)
Depth: 4.79" (12.17 cm)
Ports: 445, 460, 490: 3/8-18 NPTF
 4120: 3/4-16 UNF-2B
Service Clearance: 2.0" (5.1 cm)

Create a Part Number

Mounting Head	Flow Rating				Required	Micron Rating
Hand Primer - 4 Port	45 gph (170 lph)	60 gph (227 lph)	90 gph (341 lph)	120 gph (454 lph)	Marine Metal Bowl	10 Micron 30 Micron - 4120 Only
4	45	60	90	120	MAM	10 30

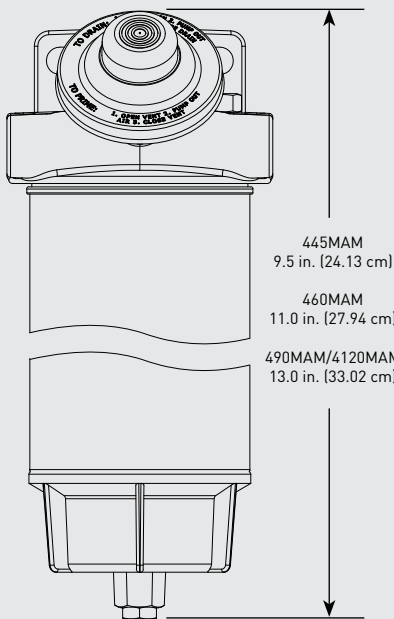
RACOR®

Dimensions:

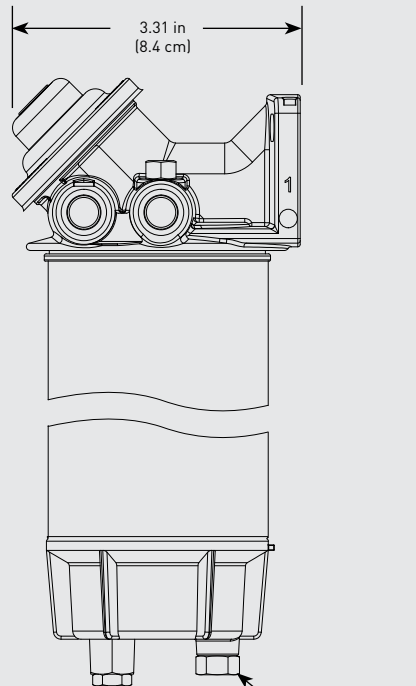


400MAM Series Top

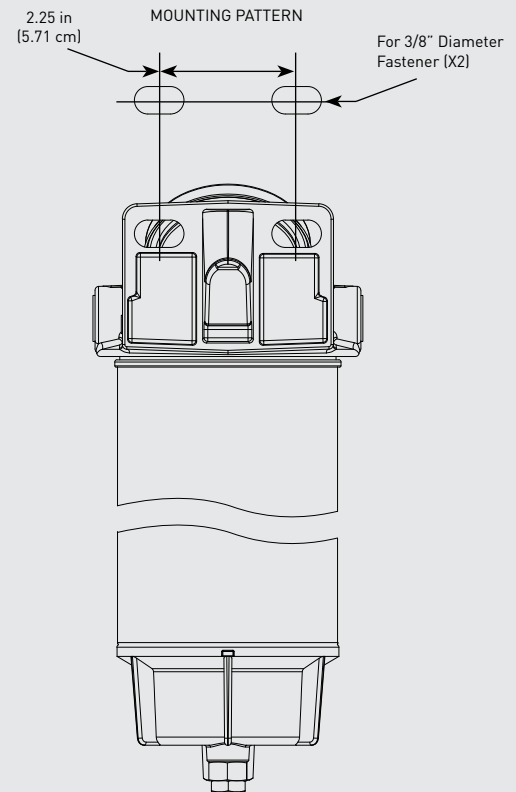
ASSEMBLIES	DESCRIPTION
445MAM10	FF/WS, Hand Primer, 45 gph Flow Rate, 10 Micron Filtration
460MAM10	FF/WS, Hand Primer, 60 gph Flow Rate, 10 Micron Filtration
490MAM10	FF/WS, Hand Primer, 90 gph Flow Rate, 10 Micron Filtration
4120MAM30	FF/WS, Hand Primer, 120 gph Flow Rate, 30 Micron Filtration



400MAM Front



400MAM Profile



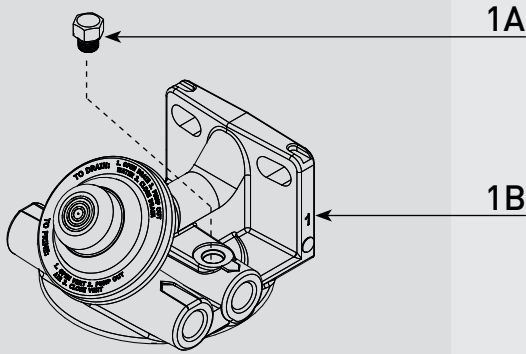
400MAM Front



PARTS

Diesel Spin-On - 400MAM Series

1



Part #	Description
1A	RK 10110 Vent Plug Kit - 3/8-24 SAE Plug
1B	400MAM Series Head Assembly

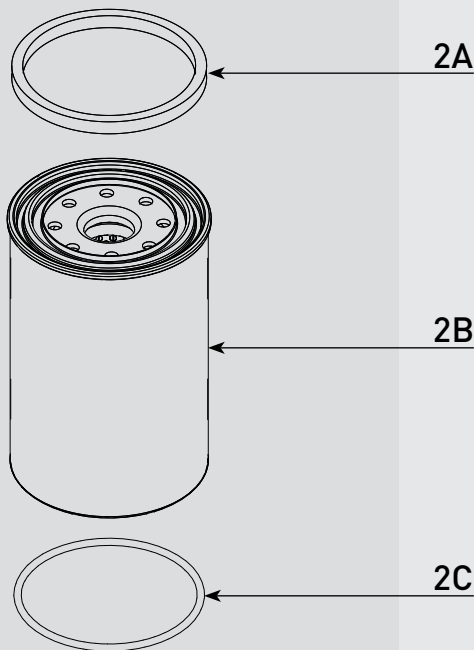
2A	Square Cut Gasket - <i>Included in 2B</i>
2B	S3204TUL 445MAM Replacement Filter - 10 micron - <i>Includes 2A, 2C</i> S3211TUL 460MAM Replacement Filter - 10 micron - <i>Includes 2A, 2C</i> S3201TUL 490MAM Replacement Filter - 10 micron - <i>Includes 2A, 2C</i> S3201PUL 4120MAM Replacement Filter - 30 micron - <i>Includes 2A, 2C</i>
2C	Bowl O-ring - <i>Included in 2B & 3A</i>

3A	RK 30495 Replacement Bowl Kit - <i>Includes 2C, 3B, and 3C</i>
3B	WIF Port Plug - 1/2" - 20 UNF
3C	Drain Plug - 1/4" - 18 NPTF

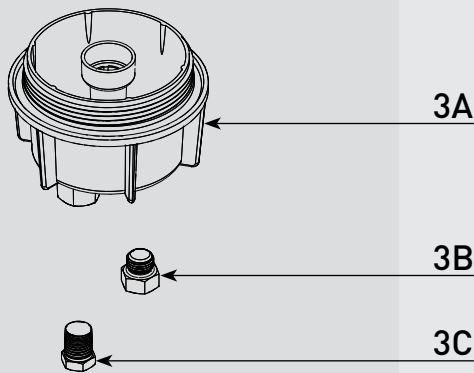
Additional Parts (not shown)

4A	RK 19492 Shut-off Valve Drain Kit - UL Listed
4B	RK30880E WIF Sensor/Detection Kit - 1/2"-20 UNF RK23191 WIF Probe Kit (Stainless Steel) - 1/2"-20 UNF - 2-wire - <i>Requires Water Detection Amplifier - See RSL7501 for available Probes, Sensors, and Amplifiers</i>
4C	RK 11-1570 Water Detection Module Kit - 12 or 24 vdc - <i>Includes Amplifier (Light and Buzzer) & RK 21069 (WIF Probe)</i> <i>See RSL7501 for available Probes, Sensors, and Amplifiers</i>

2



3



Online Link
Diesel Marine Spin-On Product Selector



RSL0380_CUT_SpinOn_400MAM-Series (03/25 Rev A)

Questions? Email: racortech@parker.com Phone: 800-344-3286 News: www.racornews.com