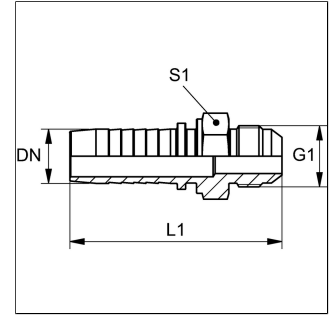


Properties

Application	Swage nipple for HD 100 HD 200 KP 100 to KP 600 TE hoses NY hoses TF hoses Suction hoses
Connection 1	BSP male thread, parallel
Material	steel
Sealing form 1	60° outer cone
Standard	JIS 8363
Suitable for	Toyota
Surface	electro galvanised
Customs tariff number	73079910



The product image may differ



Note

Choose the appropriate ferrule based on the hose type.

Items

Identification	DN	Size	Inch	Working pressure (bar)	G1	L1 (mm)	S1
PN 06 HJR	6	4	1/4"	345	G 1/4" -19	56	17
PN 08 HJR 10	8	5	5/16"	345	G 3/8" -19	58.5	19
PN 10 HJR	10	6	3/8"	345	G 3/8" -19	60	19
PN 13 HJR	12	8	1/2"	345	G 1/2" -14	63.5	22
PN 20 HJR	19	12	3/4"	275	G 3/4" -14	78	30

DN = nominal diameter, nominal width